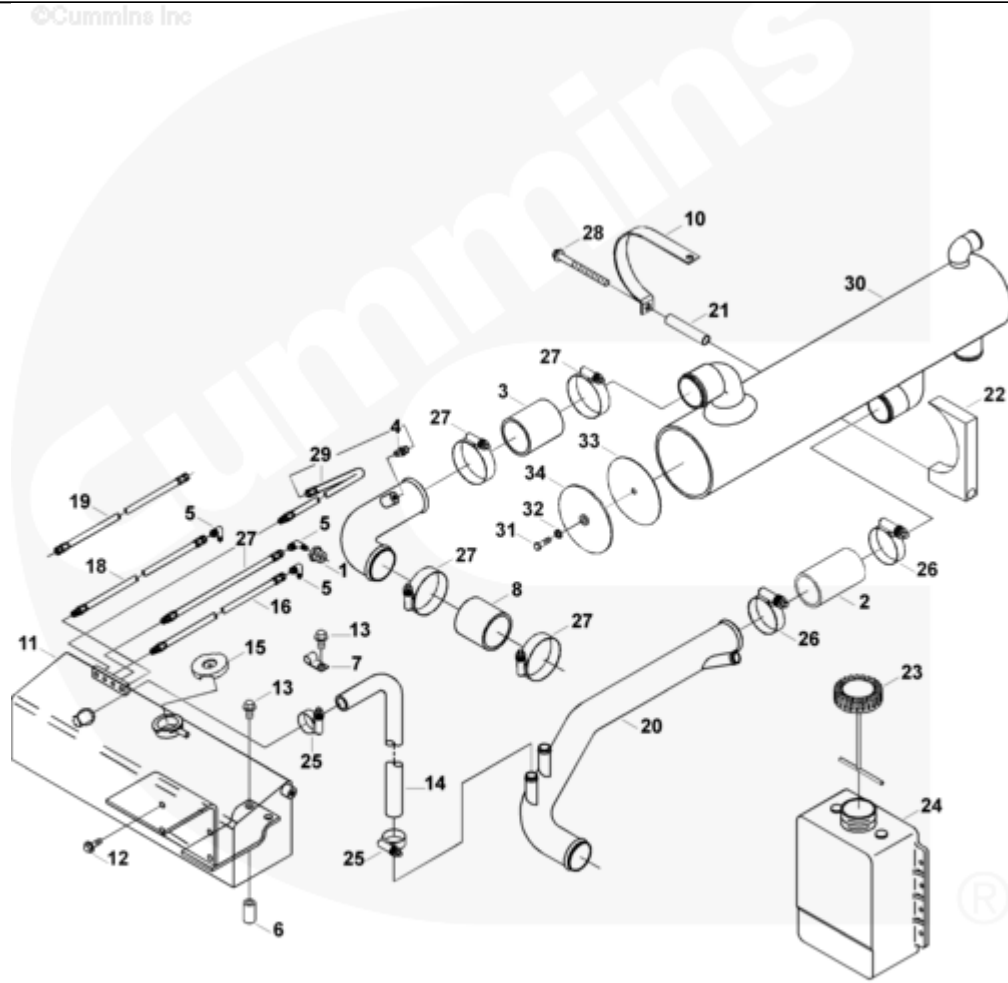




Parts Catalog - Option Detail

Electronic Parts Catalog - Option Detail				
Option	Group	Graphic	Film Card	Date
HX9042-02	08.10	hx957gh	Z	29-JAN-97
Engines	6C8.3, C GAS PLUS CM556, G8.3, G8.3 CM558, GTA8.3 CM558, ISC CM2150, ISC CM554, ISC CM850, ISC8.3 CM2250, ISC8.3 G CM2180 C101, ISL CM2150, ISL CM554, ISL CM850, ISL G CM2180, ISL8.9 CM2150 L110, ISL8.9 CM2880 L112, ISL9 CM2150 SN, ISL9 CM2250, ISL9 CM2350 L101, ISL9 CM2350 L111, ISLE4 CM850, L GAS PLUS CM556, L8.9, L8.9 L121, L8.9G CMOH2.0 L125B, L9 CM2350 L116B, L9 CM2350 L119B, L9 CM2350 L120C, L9 CM2350 L123B, L9.3 L105, L9.5 L117, L9N CM2380 L124B, QSC8.3 CM2250, QSC8.3 CM2880 C102, QSC8.3 CM554, QSC8.3 CM850(CM2850), QSL9 CM2250, QSL9 CM2250 L115, QSL9 CM2350 L102, QSL9 CM2350 L107, QSL9 CM2350 L118, QSL9 CM2350 L122, QSL9 CM554, QSL9 CM850(CM2850), QSL9 G CM558, QSL9 M CM2250 L106, QSL9.3 CM2880 L113			



hx957gh

[SMALL](#) | [MEDIUM](#) | [LARGE](#)

Cart	Ref No	Part Number	Part Description	Required	Remarks
------	--------	-------------	------------------	----------	---------

View My Cart

		HX9042-02	Heat Exchanger		MR - EXCHANGER, HEAT...(More)
					This Option is Used on the
					Jacket Water Aftercooled C
					Series Marine Engine
					Fill Location is in the Top
					Center of the Expansion Tank
<input type="checkbox"/>	1	S 931 C	Reducing Pipe Bushing	1	1/2 NPTF(Ext) x 1/8 NPTF(Int)
<input type="checkbox"/>	2	63241 N	Plain Hose	1	
<input type="checkbox"/>	3	67185	Plain Hose	2	
<input type="checkbox"/>	4	68138	Male Connector	1	1/8 NPTF x 7/16-20
<input type="checkbox"/>	5	68139	Male Adapter Elbow	3	1/8 NPTF X 7/16 - 20 (90).
<input type="checkbox"/>	6	68368 B	Mounting Spacer	2	
<input type="checkbox"/>	7	108722	Clip	1	
<input type="checkbox"/>	9	3897020	Water Outlet Tube	1	
	10	3897717	Retaining Clamp	2	Purchase Individual Parts
<input type="checkbox"/>		3897712	Retaining Clamp	1	
<input type="checkbox"/>	11	3897723	Expansion Tank	1	
<input type="checkbox"/>	12	3900630	Hexagon Flange Head Cap Screw	4	M8 X 1.25 X 20
<input type="checkbox"/>	13	3903990	Hexagon Flange Head Cap Screw	4	M10 X 1.50 X 20.
<input type="checkbox"/>	14	3905034	Plain Hose	1	
<input type="checkbox"/>	15	3281628	Filler Cap	1	
<input type="checkbox"/>	16	3924817	Flexible Hose	1	
<input type="checkbox"/>	17	3918495	Flexible Hose	1	
<input type="checkbox"/>	18	3918494	Flexible Hose	1	
<input type="checkbox"/>	19	3918496	Flexible Hose	1	
<input type="checkbox"/>	20	3918919	Water Transfer Tube	1	
<input type="checkbox"/>		3921693	Vibration Isolator	2	
	21	3282826	Mounting Spacer	1	

<input type="checkbox"/>					
	22	3921694	Vibration Isolator	1	Service As 3921693
<input type="checkbox"/>		3922500	Coolant Recovery Reservoir	1	
<input type="checkbox"/>	23	3921339	Expansion Tank Cap	1	
	24	3921480	Coolant Recovery Reservoir	1	
<input type="checkbox"/>	25	3922842	Hose Clamp	2	
<input type="checkbox"/>	26	3922847	Hose Clamp	2	
<input type="checkbox"/>	27	3922849	Hose Clamp	4	
<input type="checkbox"/>	28	3922863	Hexagon Flange Head Cap Screw	2	M10 x 1.50 x 110
<input type="checkbox"/>	29	3924815	Flexible Hose	1	
<input type="checkbox"/>	30	3912145	Heat Exchanger	1	
<input type="checkbox"/>	31	3975185	Hexagon Head Cap Screw	2	
<input type="checkbox"/>	32	3975186	Sealing Washer	2	
<input type="checkbox"/>	33	3975188	Heat Exchanger Gasket	2	
<input type="checkbox"/>	34	3975190	Heat Exchanger Cover	2	